



## International Short Wave Broadcast Receiver

*featuring ultra-precision tuning dial accuracy...*



# DRAKE SW-4A International Short Wave Broadcast RECEIVER

**Direct Frequency Dialing...** No more guesswork in identifying stations. Set the dial at a station's frequency, and if conditions permit, you'll hear it, every time!

Designed and priced for the Short Wave Listener, the SW-4A was derived from our top line communications receiver, Model R-4A, for the express purpose of providing dependable reception of international short wave broadcasts and meeting the requirements of this service as specified by Radio New York Worldwide.

## SPECIFICATIONS

**FREQUENCY COVERAGE**—15—.5, .5—1.0, 1.0—1.5, 6.0—6.5, 7.0—7.5, 9.5—10.0, 11.5—12.0, 15.0—15.5, 17.5—18.0, 21.5—22.0, and 25.5—26.0 megacycles with crystals supplied. These frequencies cover European LF Broadcast, American MF Broadcast and International SW Broadcast Bands.

**SELECTIVITY**—5 KC at 6 DB down and 16 KC at 60 DB.

**I. F. FREQUENCIES**—First I.F.—5645 KC crystal lattice filter, second I.F.—455 KC.

**STABILITY**—Less than 100 cycles after warm-up. Less than 100 cycles for 10% line voltage change.

**SENSITIVITY**—AM signal-to-noise ratio of 10 DB with less than 2 uv input signal modulated 30%.

**MODE OF OPERATION**—AM

**DIAL CALIBRATION**—Main dial (window) calibrated 0—500 MC and .500 to 1.000 MC in 5 KC divisions. Vernier dial calibrated 0 to 25 KC in 1 KC divisions.

**CALIBRATION ACCURACY**— $\pm 2$  KC if dial is set to known frequency within the band.

**AGC**—Amplified delayed. 3 DB change in AF output with 60 DB change in RF input.

**AUDIO OUTPUT**—2 watts at 5% H.D., 3 watts maximum.

**AUDIO OUTPUT IMPEDANCE**—4 ohms and 8 ohms

**ANTENNA INPUT**—52 ohms nominal

**FRONT PANEL CONTROLS**—Band Switch, Preselector, Tone, Volume/On-Off, Headphone Jack, and Main Tuning.

**REAR CONTROLS & CONNECTIONS**—S-Meter Zero, 120/240 Volt Switch, Speaker Connections, and Antenna Connections.

**POWER CONSUMPTION**—30 Watts, 120/240 VAC, 50/60 Cycles.

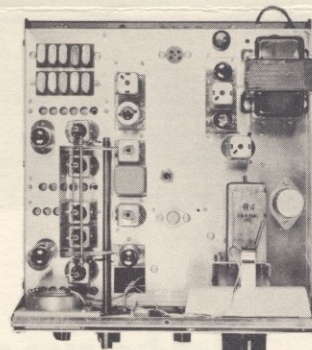
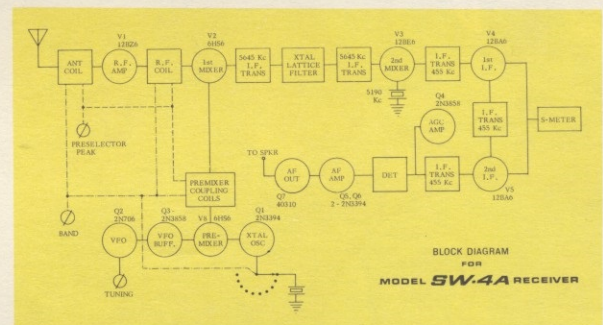
**DIMENSIONS**—5½" high, 10¾" wide, cabinet depth 11⅝", overall depth 12¼", weight 16 lbs.

**ACCESSORIES AVAILABLE**—Models MS-4 Matching Speaker, \$22.00, and AL-4 Shielded Directional Loop Antenna for .15 — 1.5 MC, \$22.00, AN-5 Short Wave Wire Antenna Kit, \$8.80.

**PRICE**—SW-4A, \$299.00.

## FEATURES

- Ultra-precision tuning dial accuracy
- Also accurately tunes standard AM Broadcast
- Crystal lattice filter for adjacent station rejection and good audio frequency response
- Dual conversion
- Solid state AF output gives low distortion and good frequency response
- S-meter for signal strength indication
- Preselector gives superior sensitivity by peaking antenna and RF stages
- Crystal-controlled H. F. Oscillator for same exceptional stability on all ranges
- Amplified AVC—gives constant AF output for all signal strengths



Top of SW-4A, chassis.

## TUBES AND SEMI-CONDUCTORS

12BZ6	RF Amp
6HS6	1st Mixer
6HS6	Premixer
12BE6	2nd Mixer
12BA6	1st I.F. Amp
12BA6	2nd I.F. Amp
2N706	VFO
2N3858	VFO Buffer
2N394	Xtal Oscillator
2N3858	AGC Amp
2-2N3394	AF Amp
40310	AF Output
4-1N3194	Power Supply
	Rectifiers
1N3194	Bias Rectifier
1N714	Voltage Reg
1N270	Detector
1N483	AVC Clamp

Another Drake receiver, the more versatile Model R4-B, has all the features of the SW-4, plus many extra functions needed in communications. Model R4-B, \$475.00.