

THE

UNITED



49ERS

September 1953

Collingdale, Pa.,

Edward I Broome Pres.
P.O. Box 371
Medford N.J.

William C. Peters Editor
413 Pershing Ave.,
Collingdale, Pa.,

DO IT TO-DAY THE DAY BEFORE TOMORROW

What are you doing about the HEAT? Trying to keep cool, yes?

As the sand trickles through the hour glass of time this club is getting older with each passing hour, and with that we hope that we are bettering ourselves....

Now with the Korean peace treaty signed and the return of the Allied prisoners coming home- let us not forget what those who have died over in the foreign scils stood for,

PEACE & Happiness, the right to live like free people

Yes, the price was high, yet let us not forget they served our country, like the friend of yours thats leaving from the neighborhood corner - they too will serve in one of the worlds best services..

Let us not forget what one of the worlds most famous men stated at Gettysburg.. " Less we forget" yes Lincoln he had right idea on what to expect from the people... When trouble is gone, and the smoke of battle is no more, we settle back to a life of ease... Those who died so that we can have the much wanted peace is soon forgotten, and what they fought for PEACE and the pursuit of happiness, the world don't owe this to us, we have to fight and earn the right to this right that is expected of us.....

fight and earn the right to the

Our President and Mrs. Broome, wish to thank all of you who sent the nice birthday cards to us

Before we forget it _____ Our Prez. while sitting at his desk at home the other evening, heard the telephone ring and picking it up heard a voice say --- " Bet you don't know who this is " and the answer being " NO"-- he told him that it was Archie Follett all the way from Texas. Of course, Ed, knew that Archie was a headin North, but never thought what he would stop. So Ed told him how to get to his place, and Archie came along and stayed overnight-- In fact no attention was paid to the time and it was nearing 0200 before all retired to bed. Archies speedometer said 2360 miles to Ed's place and he told Ed he had stopped at some of the members homes on his way, but those of you who miss his visit, can surely feel sorry you were not at home.

From England we learned too that everything is coming along nicely at the Sheppard abode; Tho' it did seem funny that Charlie was giving us two addresses, until he straightened the whole manner out.

From Portugal came a short note telling us that Edwards Martins was a busy man, working on some sort of a project for the " State Government"

Anybody want to compare scores on 21 Mc ? If so contact Ben Adams in N. Y. Ben has 53 Countries Heard and 16 Verified

From Japan we learn too that Cpl. Eddie Quintore will soon be headed Stateside.

From Ireland too we learn that Vida Smith has been seeing some of the country and the Seashore this Summer,

From down Baltimore way we heard that a certain fellow is about ready to bread the shackles of getting away from the " Soap Factory" next door. Good Luck to you Jim.

Notice also came from Canada that A.R.P. Golding in " Her Majesty's Service " has a new QRA- so here it is A.R.P. Golding, Grahmanor, Wellington, Ontario, Canada.

Everybody greet our new members this month with some cards and a welcome to the club,

Ronnie and Mickey Glantz, 517 Lloyd Avenue, Providence, R.I.
Don Flenner, 459 Washington St. Springdale, Pa.
We believe Ronnie and Mickey are the 1st Pro and Sister
team to jointly enter our club. Best 73' to you both.



Jake Melnick
Sept Issue

The month of September will show some good signs of the opening of 10 meters so far great many changes have taken place in this last month..

There has been heard the most of the sections of the states - W3 W9 W8 W7 and some W4's - as we all know we are passing through a 11 year sun spot cycle and the higher freq's are not quite up to their peak..

Mobile Rig..

The Mobile Rig here is a 6AG7 xtal osc. into a 2E26 final running 20 watts input. The receiver is a Gonset converter into the auto radio... The ant. is a 96" whip mounted to the rear of the car...

The frequencies used here at the present time are
28,680 29,000 29,493.2 kcs.

The Ridley Park Radio Club uses the freq 28680 for a emergency net freq. Which operates on Thur & Sun nites at 10 p.m. (2200 est)

Another Mobile club in this area "The Philmont Mobile Club operates their scramble egg net on 29,493.2 they meet Mon thru Fri. at 7:30 a.m.

In the future there will be more to report on the mobile activities.. I would like to hear from fellows who are interested in mobile or simplified theory, (it can be very simple, ed..) I allow here your chance to own one of those so called Ham Tickets...

Now fellows all it takes is some of your time, and if you can spend the time it ain't worth a ticket.. Oh, I agree the S.W.L. is important be we need some men to operate these C-D rigs(civ. defence) don't stay at the bottom of the ladder all your life, others got the ticket and your as good as them.. Let's prove to the world that it isn't hard to get one of those so called tickets....

W3IHS

You name what you want in the bulletin if I don't have it, I'll get it for you

(ur editor)

THE DRIVERS PRAYER

Dear LORD, before I take my place
To-day behind this wheel
Please let me come with humble heart
Before thy throne to kneel

And pray that I am fit to drive
Each busy thoroughfare
And that I keep a watchful eye
Best some small child be there.

And keep me thinking constantly
About the "Golden Rule"
When driving past the playground zones
Or by some busy school.

Then when I stop to give someone
His right to cross the street
Let me my brother's keeper be
And spare a life that's sweet

Please make me feel this car I drive
You gave me to enjoy
And that it's purpose is to save
Mankind, but not to destroy..
c/c

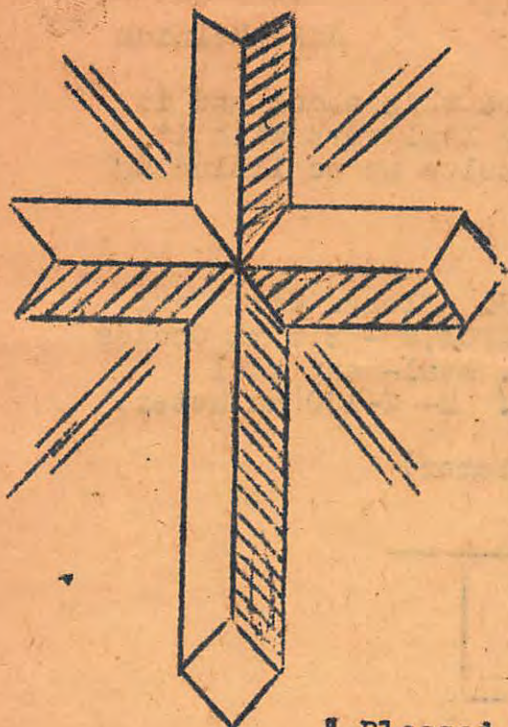
** NOTE, Quote Penna. Veh. Dept.

Our Club is considering having plate made with our name of the club on them to be affixed over top of the rear license plates of our automobiles. Is this permissible?

*** Ans. Yes it is provided that the club insignia is attached in such a way that it does not hide or obscure the license plate itself.... The Dept of Rev. has recently ruled in a directive that it is all right to display these new "unofficial" tags with the owner's or his best girl's name on the front of the cars, **** PROVIDING such does not resemble the "official ones too close as to have it mistaken for the "official registration tags..



BEATING
THE
HEAT



THE CHAPLIN'S CORNER

Enter ye in at the strait gate: for wide is the gate, and broad is the way, that leadeth to destruction, and many there be which go in threath: Because strait is the gate, and narrow is the way, which leadeth unto life, and few there be that find it. Beware of the false prophets, which come to you in sheeps clothing, but inwardly they are raving wolves. Ye shall know them by their fruits. Do men gather grapes of thorns, or figs of thistles? Even so every good tree bringeth forth good fruit; but a corrupt tree bringeth forth evil fruit...

" Blessed are the meek: for they shall inherit the EARTH

Let's bow our heads in silent prayer for those boy's who came back from our battle front, yet a much more solom prayer for those who will not be able to see the light of tomorrow..

MAY THEIR SOULS REST IN PEACE

////// ----- ////

LETTERS TO THE EDITOR



On Aug. 10th I received a very nice letter from Miss Frances Spafford of Mass.

She says she would like to know where the novice can operate in the 40 meter band...

Frances, The novice band on 40 mtrs as close as I can find out is 7135 to 7140, I beleive if I was you I wud write a post card to the Commission before any real plans were made.

I also received a letter from Bill Krause and he says he heard KG4AK, K44AQ, HI6EC, DL4HE on 20 mtrs His latest card is EA2BT from Spain. Txn. Bill

I just got a card from Ben Adams -- sorry Ben I had to hurry on that bulletin.. He says he hrd GEOAA..He also got his 118 country Verti card. Txn Ben fer the ord..

Well, Anson txn fer the letter, and I hpe that we can get to-gether for another visit, Sorry Ans. the presses roll on the 1st of the month, 28th is the dead line....

This is a "Pet Circuit"

W3IHS

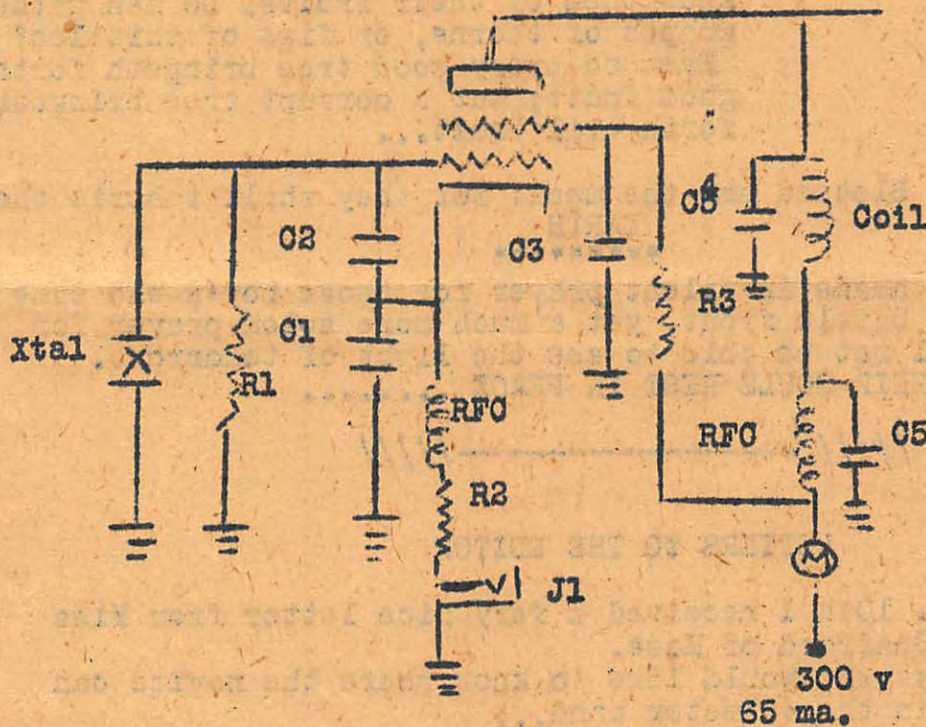
Jake Melnick

This oscillator is an old stand by around this shack and it has proven it's worth.. It will make any Xtal work with it. best out put, also it will give good results up to including eight(8) times the normal freq..

PART LIST

- | | | |
|----------------------------|----------------------------------|------------------------|
| R1- 68k $\frac{1}{2}$ watt | C1- 50 ufd. | J1 Closed Cir. Jack |
| R2- 500 ohms 1 watt | C2- 15 ufd | RFC1,2 - 2.5 mh Chokes |
| R3- 47k 1 watt | C3 .002 mfd 600v. Xtal- any xtal | |
| | C4 100 ufd. var/ | M- 0-100 ma. meter. |
| | C5 500 uufd | |
| | C6 7-35 ufd (trimmer) | |

COIL any coil up to 8 times f (Freq)

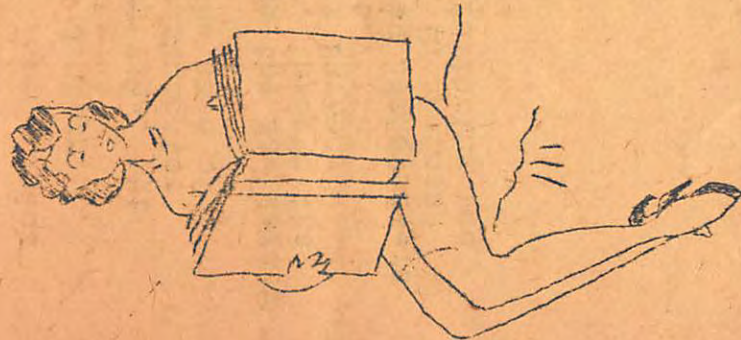


Blessed are the poor in spirit: for theirs is the kingdom of heaven

Blessed are the peacemakers: for they shall be called the children of God.

Ask, and it will be given unto you; seek, and ye shall find; knock, and it shall be opened unto you: for every one that asketh receiveth; and he that seeketh findeth; and to him that knocketh it shall be opened...

The World's Best Loved Poems
Bob Sanborn



A HOBBY ???

A hobby is a joy
A heaven sent gift;
When trouble is annoy
It gives you a lift.

It soothes and it warms
It eases all hurts;
It thrills and informs
Delights and diverts

It brightens your chores
And bans irritation
As much as it bores
Your friends and relations

B/S

Supposing you had two charges
One plus and one minus
So illustrated



Then you connect the two, starting a flow
of Electrons and protons - as so

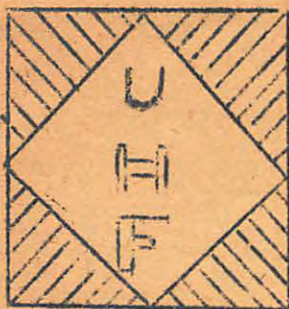


Yet not satisfied till space took it's place
So once again the electrons and protons flow



Thus by luck, and not by pluck we came to our:
BACK FENCE GOSSIP

We have here to understand that the trip that WN3VWF with his son Bob, was not for a pure vacation, but I beleive that a friendship was renewed by Pappy's son Bob with a certain YL.... I saw Bob and that gleam is in yon eye- "Look out" Bob::



A Sortie to W1 Land

Bob Sanborn

Having a two week vacation is very fine, but when you can take alone a "Gonset Communicator then you are really living, so was the case of "Pappy (WN3VWF) and myself.

We motored to Framingham Mass. via the New Jersey turnpike, up the Henry Hudson Parkway, through the Saw Mill Road area, along the Merritt Parkway Routs 15 & Rt9 into Framingham.

This was on Aug. 8th 53, Setting up Headquarters on the second floor of my Aunt's home, we were soon in business using a "J" ant along with a xtal D*104 mike.. The following was to be annoyed by our chatter.

- WLNBA 8/8/53 7:20 p.m. W. Medford Mass
- WLKO (mobile 7:32 p.m. Mt. Wauchettes Mass.
- WLQQW 10:20p.m. Framingham Mass
- WLGJZ 10:55p.m. Sherborn Mass.
- WLV0U8/9/53 12:15p.m. Glostown N.H. (mobile)
- WLVWM 12:43p.m. Saxonville Mass.
- WLQZF 5:05p.m. Wellsey Mass.
- WLOOP 6:35p.m. Waltham Mass. Qt W (mobile) 1/2 watt Pwr.
- WLMZS 8/14/53 10:35p.m. Manchester N.H. 100-miles away//

While my brother left Aug 12th we stayed untill Aug 16th and then packed our equipment and regretfully left beloved W1 land via Amer. Air Lines back to sweltering Phila.

It seems that most of the fellows in W1 land use Horz. beams on the U.H.F. bands (144 mcs.) this I will write about later
73's & the best BOB

**** Miss Betty Pearl Elder of Bremerton Wash writes a very nice note, sorry to read the message it conveyed...

"Say Betty do you know any of the gossip around? , it always makes interesting reading - yes?

CONDOLENCES



It is with deep sympathy, that the officers and members join in an expression of sincere condolences to:

Mrs. Louise E. Lowery
Artesia Calif.

on the passing away of her husband, Robert on August 4th 1953..



Dave Lund
Halstein, Ind.,

Ltr revd 24th
Rcvr- S-40E
Ant: 300 ohm dipole

20 mtr phone stations

8/20/53

OE13USA- 1519	EST	G6AY - 1642	EST
DL40Y - 1547	EST	G3AWZ - 1645	EST
DL4MV - 1548	"	G2AMG - 1654	"
GN8GY - 1600	"	DL4YZ - 1656	"
DL4HV - 1615	"	DL4OV - 1701	"
DL4OP - 1617	"	DL4AD - 1702	"
DL3EA - 1623	"	DL4USA- 1706	"
DL4OX - 1630	"	G2PU - 1712	"
G7EAG - 1635	"	CT1SX - 1727	"
G2MF - 1639	"	F7CC - 1734	"

Tnx. Dave..

Back to School



" SCHOOL DAYS SCHOOL Days" but why go any farther, as we know that some of you dread this coming event, but we wish you all the BEST of luck in your next term and a promotion, at the end of it..

But to go to school in a summer morn,
Oh, it drives all joy away!
Under a cruel eye outworm,
The little ones spend the day
In sighing and dismay..

The president's of tomorrow are the School boys of to-day
Go ye to yonder school and learn of yesterday's mistakes
So that you, our future leaders will not tread in like foot
steps.....

A HAMFEAST will be held in So. Jersey by the So. Jersey Radio club on Sept 13th - contact W3IHS for particulars
Imtr hunts, Chow, and party games- good times will be had for those who attend..

Flash !



What is heard & worked on 2 mtrs. in Phila.
Bob Sanborn

	WN3VMN	11:35	8/1	S.W. Phila.
	W3ANK	5:25	8/1	Germantown Pa.
	W3TKQ	2:53	8/2	Franklin Institute Phila.
	WN3UMI	12:22	8/3	Roxborough N. Phila.,
	WN3VXU	12:36	8/3	So. Phila.
	W3HDB	10:23	8/4	N.E. Phila, Pa.
	W2FXT	9:30	8/6	Merchantville, N.J.,
	W2NSJ	10:52	8/6	Blackwood N.J.
	W2RLY	12:27	8/17	Trenton N.J.
	WN3VSI	10:30	8/17	Collingdale, Pa.
	W3COW	9:20	8/20	Lansdowne Pa.,
	W2KNI	10:23	8/21	Mountainside, N.J.
	W2OGZ	11:54	8/21	Maple Shade, N.J.
	W3KDS	11:09	8/21	Manoa Pa.,
(Sta heard.)	W4UBY	11:15	8/23	Fairfax, Vir.,
Sta heard	W1RQ	9:00	8/26	Eason Conn.

*** Between 8/7 to 8/16 was operating Portable in Framingham Mass.
Txn Bob

IT WORKS !

On Aug 25th W3NIT worked a VE2ATM on 3.5 mcs 50 watts



Gossip from around the "Camp Fire"

Archie Follett made a surprise visit to W3NIT house, only in vain, for "Wee Willie" was not to be found home.. *****

A hectic time was had by a 2 mtr mobile sta. when he pulled up to a river bank and the front tire sank down under ye old gumbo .. Not worrying about it they proceeded to go ahead with operations which lasted for over a hour.. Unable to back out they proceeded to use a old Army lesson, jacking up the car they used the spare tire for a road way and promptly back out of the gumbo and went on their merry way. *****

Your reporter visited W3TKQ Franklin Institute in Phila, Pa. on Sun. Aug. 23rd and had a good time with the temp. operator on duty. The station is sponsored by the Haverford Township Emer. Radio Net. The station wrks 80 C.W. 40, 20, 10' & 2 mtrs.. The Viking II one the low freq's end a 522 xmtr & rcvr on the high freq's.....

Tnx Bob.,

WHO'S WHO

by Archie B. Collett
1101 North Hedgecock Drive, Borger, Texas



How do you like the cut with the Column?
Nice addition!

I would like to have you meet one of our English members whom I have known for several years; Dave Walker who is a Corporal in the Royal Air Force instructing radio in one of the RAF radio schools in England. Dave's home address is 41 Broadway, Exeter, Devon, England. He is 23 and single; however, I understand his acquaintanceship with a certain YL is most cordial. Not all of his time is spent on the base. There are frequent trips to London to take advantage of the many cultural opportunities there - ballet, opera, symphonies (and with pleasurable companionship!). As is common with many of our younger members, Dave has been interested in SWL and S/B/C for several years. While employed in the Physics Department of Exeter College in 1945, he became interested in radio. Two years later he joined the RAF and became extremely interested in the amateur side in 1948 when he came in contact with G3DER and had some experience using a rig. Since 1950 service commitments have put severe limitations on his time to search the bands - but there'll be a bright day coming. Dave's hobbies keep his spare time filled completely - naturally radio comes first with SWL'ing when possible, stamp collecting, photography. Other interests include electric railway equipment and design, baseball, German types of pyrotechnics, chemistry and progress of plastics. Dave joined the 49'ers in December, 1950 and follows the Society's policy of QSL'ing 100%. He has a new batch of cards and would be happy to send one to you. He would like cards especially from Florida, Louisiana, New Mexico, Arizona, Idaho, Wyoming, North & South Dakota. Can any of the members help him? Dave likes to collect and exchange foreign view cards. At present he is using only a 5-tube Super receiver with a long wire antenna. BDN Austria - 350 watts is his best verification.

This is not a man's world by any means; our 49'ers Radio Society demonstrates that amply by the number of young ladies in the organization. We have several husband and wife teams; Kay and "Preacher" Bill McKenna is one of them. "Preacher" Bill is our Chaplain and Kay handled the Social Column in the monthly Bulletin for a long time. (Recently she relinquished her duties to Gary Ripton.) Kay and Bill have one girl, Kay Eiline, who is 6 years old. When they moved from a 9-room house in the city to a 4-room apartment two miles in the country, Kay didn't have much house work to do, that is, not much. On urgings from Bill she took up short-wave listening in her spare time. She uses an SX 11 and SX 25; and her best verification is MF2AA - Trieste. Besides her SWL'ing and home making duties, Kay is interested in crocheting, knitting, fancy work, and church work. I understand that Kay is an avid stamp collector; here is an opportunity for all of you stamp collectors to get together for a swap-fest.

At the Annual Outing of the United 49'ers Bob Sanborn enrolled his father Pappy (Arthur G.) Sanborn. Pappy is 61 years old, and

was born in Washington State. His wife died in September, 1951. Since 1930 Pappy has been losing his eye-sight gradually and now can only distinguish between light and dark. This hasn't held Pappy back from the airways. He operates Ham radio under the call letters WN3VWF, and works 80 meters C.W. (3.705-3.718) which is his main stay on the air. Pappy's chief ambition is to take the "N" out of his call. (Good luck! And I know you'll rake it.) Pappy operates from his home 2555 Carrol St. in the southwest part of Philadelphia. He also operates 2 meters I.C.W. and phone (145.440-146.052 with the aid of a Gonset Communicator on 2 meters and a TR-75 on 80 meters C.W. The antennas are a 60' wire and an 8 element rotary beam with RG-11U feed line for 2 meters. He is interested mainly in C.W. and Bill Peters, W3NIT has operated with him on 80 meters C.W. Pappy operates a little phone, but is a bit lost for words when it comes to speaking into his D-104 mike. You don't know how much it would mean to Pappy Sanborn if all of you members who hear him on the air would drop him a card to let him know what is going on. Pappy is assisted ably by his son Bob who does all of the tuning, and is also quite a man around the radio shack. Bob doesn't hold a ticket at the present time, but he will in the future.

***** Special Notice

Here is a list of members of the club that hold Amateur calls..

- W3NIT Bill Peters- Collingdale Pa.
- WN2CIS Jim Deegan* Staten Island
- (Pappy Sanborn Phila, Pa.; (WN3VWF)
- WN3VKM Eddie Cimeo Phila, Pa.,
- W4OEL Sheldon Dunham Cary N.C.
- W9LMC John Hathaway Rantoul Ill.
- W9FFR Jas. Holston Evanston Ill.
- W2IEW Robt. Knox Newton N.J.
- W3IHS Jake Melnick Collingdale, Pa.,
- W1TNX Walter Melvey New Haven Conn.
- W0WET Thos Orr Minn, Minn.
- WN9URQ John Yochum Princeton Ind.

 To the United 49'ers

I have just got my Amateur's call which is _____
 I operate Phone _____ C.W. _____ on the following freq's
 _____ kcs. My power is _____

Please list my name for the United 49'er Radio Net I will do my best to be present for the drills when they are held..



Signed _____

Address _____

City & State _____

INTERNATIONAL PREFIXES

AAA-ALZ U.S.A.	HLA-HMZ Korea	2AA-2ZZ Gr. Britain
APA-ASZ Pakistan	LXA-LXZ Luxemburg	4UA-4UZ United Nations
ATA-AWZ India	PAA-PJZ Curacao	4WA-4WZ Yemen
AXA-AXZ Co-Aust.	PZA-PZZ Surinam	*****
CNA-CNZ Morocco	SSA-SUZ Egypt	
DNA-DQZ Belgian Congo	SVA-SZZ Greece	
EAA-EHZ Spain	YAA-YAZ Afghanistan	
EPA-EQZ Iran	YJA-YJZ New Hebrides	

Now to use these above prefixes, they are in direct relationship with the call signs of the different countries -- for example: A station called CQ he signed his call 4U1az, now by this we know it a station from the United Nation.... Any more questions??

The Correct heading for messages

Nr _____ Station of Origin _____ Check (group count) Place of
 Origin _____ Time Filed _____ Date _____

Address (to where it's going)

This includes the name and complete address..

Text of Message

Signature (writers name or nickname)

EXAMPLE:!!

Nr 1 W3NIR Ck 8 Hometown 2145 8/9/53
 Mr. John T. Operator
 123 W. Tisz Street ((all times is 24 hour time))
 Mabeville , Pa.

Am well will write later and explain details..

Signed

Jacx

Color Code for Power Transformers

Primary Leads -----	Black		
Common	Black		
Tap	Black & Yellow striped		
High Voltage	RED		
Center Tap	Red & Yellow striped		
Rectifier winding (5.0 v)	Yellow	File #3	Slate
Center tap	Yellow & Blue	Tap	Slate & Yellow
Fil. winding	Green		
Tap	Green & yellow		
Fil#3 winding	Brown		
Tap	Brown & yellow		

LOUD SPEAKER (V.C.)

Green ----- Start
 Black ----- Finish

Loud Speaker Field Coil

Black & Red ----- Start
 Yellow & Red ----- Finish
 Tap (if any) ----- Slate & Red

- W3NIT

The Aurora, Major Cause of Radio Disturbances
Holsstein Iowa.. by Dave Lund

The Aurora Polarís, more commonly known as the northern lights and the Aurora Australis or southern lights are two of the major causes of communication disturbances, especially Short Wave reception as numerous listeners have discovered. These phenomena which luminous atmospheric conditions occur in both the Arctic & Antarctic regions of the earth..

When most prominent, in the spring & the fall, the so called Northern lights have been seen as far south No. Car. the are the lights that cast there errie lights to the north during the late evening hours, when the constast can be seen

The southern lights can only be seen between the 40th and 55th parallels of South America... The northern lights can be seen between the 40th & 60th parallels and the 50th & 70th parallels of Europe and Asia.

The origin of this phenomina is given to the trapping of the negative electrons from the SUN in the magnetic field of the earth and the ionigation of the atoms of such atmospheric gases as oxygen, nitrogen, helium, neon, hydrogen, and various others.

The auroras usually occurs in height from 50 to 250 miles but are occasionally found as high as 400 & 600 miles

The increased Sunspot activity in the past two years has made the occurence of the auroras more noticable in both northern & southern hemsheres...

The term Aurora Polarís, derived from the Latin, meaning the polar light or dawn..

I personally have made a somewhat extended survey of the northern lights, being a Amateur Astronomer...

The so called QSB or fading found on numerous Short Wave bands are one of the results of these two Arctic Atmospheric conditions, and has made many a S.W.L. miss a rare DX catch

D/L

CORRECTION :

I have just received a return letter from the Federal Communications Commission that the following is correct on the Novice Freq's for the 40 meter band..

Quote:

On Febuarary 28th of this year the following freq's are allotted to the NOVICE operators in the 7.0 mc band
7175 kcs. to 7200 kcs. for class A#1 emission only
Note* 7200 to 7300 for class "A & B " phone....

Thank you- editor..

How many members would like to have a Question and Answer columns ---- Please send your vote to

Mr. Edward I Broome

P.O. Box 371

Medford N.J.

INTERNATIONAL SHORT-WAVE
NEWS

I
S W
N

Compiled By: Ans Boice
26 Eisenhower Drive

(ALL TIME IS E.S.T.) New Britain, Ct.

HAITI: Radio Commerce, Port-au-Prince 4VA, 4VB, has been heard on 9.185 with test programs and ask for reports, excellent signal here in New England. Hrd arnd 1130-1230; 1700-1730 & 1900-0000 close down. QRA: P.O. Box 94, Port-au-Prince, Haiti.

** Radio Haiti, 4VRW, 10.065, Port-au-Prince now has an English prog. "Your Music Caravan" every Thurs. 2130-2220; this one is identifying in English quite often now. (R. & TV NEWS)

CHINA: Radio Peking (Commie Controlled) is on the air in English at 2200 on 6.100, 7.500, 9.040, 10.26, 11.69, 15.060 & 15.170 kcs.

** The Voice Of Free China, Taipeh, Taiwan (Formosa) presents English daily 0100 over 11.735 kcs. (both items H. ABE, Japan via Roemer)

HUNGARY: Radio Hungary, Budapest beams prog. to No. America daily over 7.23, 6.25 & 9.83 from 1715-1745, 1930-2000 & 2300-2330. B/C in Hungarian at 2000-2030 & 2330-0000. (New Hungary Bulletin)

BARBADOS, BWI.: Bill Roemer has recvd a letter from the Deputy Engineer of ZNX-32 stating that being a Commercial station they do NOT issue QSL Cards. It took Bill 4 Air Mail reports to recieve this reply.

NEW CALEDONIA: Radio Noumea has once again changed freq. and is now hrd opening at 0200 on 6.028 kcs. (Sweden Calling DX'ers)

ECUADOR: HCJB Officials hope to have transmitters moved to new location at Pifo by Aug. 10th. (R. & TV NEWS)

ATTENTION PLEASE:: Many conflicting reports etc. have come in to me recently regarding stations around 9.50-9.52 kcs b/c'ing around 1900-2000 hrs. Would some of you DX'ers please check these freq's for ye Editor and let me know what YOU hear??? Tnx. (Ye Editor now has cause to believe the station reported mest is XEWV Mexico City on 9.505)

SPAIN: The Voice of Spain, Madrid on 9.363 is reported fair signal in Iowa by Dave Lund from 1800-1840, English program presented. (W 9/2/60)

SWEDEN: R. Sweden hrd wd fair sig. 1930 on 9.535 in English and again at 2310 wd gud sig. on 11.880 (Lund) .. Sweden Calling DX'ers is presented every Friday at 1045 & 1730 and Saturdays at 0215 on the freq. of 6.065 kcs. (Ed)

PORTUGAL: The Portuguese Catholic Station, "Radio Renaissance" is at present operating from 1230-1800 on 6.154 kcs. (Their QSL Card is very nice, Ye Ed recently "saw" one. Hi.)

TURKEY: Radio Ankara presents English Program and it's very interesting too, to No. America daily 1815-01900, on Sunday a mail bag. (Lund)

YUGOSLAVIA: Belgrade aires programs in English 0115-0130 & 1200-1215 over 6.100 & 9.617 kcs;; and over 6.100 & 7.200 at 1315 & 1645.

Present sked of Radio Free Europe is presented thru courtesy of Mr. Russell E. Geiger, Asst to Tech Director. QRA: Radio Free Europe, 110 West 57th St., New York, 19, N.Y. ;; Transmitting facilities are located near Munich & Mannheim Germany & Lisbon, Portugal.

Freq;	Language:	* Week-days	* Sundays
5970 *	C	2300-1800	0200-1800
5985 *	C	2300-1800	0200-1800
5985 *	P	2300-0310, 0453-0910, 0943-1800.	(0200-1800) (Sund)
6020 *	P	1200-1800	1200-1800
6095 *	H	0000-1805	0200-1805
6105 *	C	2300-1800	0200-1800
6130 *	H	0000-1025	0200-1035
	G	1100-1800	1100-1800
7145 *	P	2300-0310, 0453-0910, 0953-1800	(0200-1800 Sund)

Sked of R. Free Europe ctd.

Freq.	Language	Week-days	Sunday
7192 *	H	0000-1805	0200-1805
7300	P	2300-0445, 0453-0910, 1200-1800	(0200-1045 & 1200-1800) Sund.
9607 *	P	2300-0310, 1600-1800	1610-1800
9655	C	2300-0145	
	G	1100-1800	1100-1800
9695 *	C	2300-0400	0200-1800
9717.5 *	P	2300-0310, 0453-0910, 0953-1800	(0200-1800 Sund)
9725 *	H	0000-1805	0200-1800
9750 *	H	0000-0245	
11725 *	P	2300-0310, 0453-0910, 0953-1800	(0200-1800
11745 *	C	0200-1800	0200-1800
11755 *	C	2300-0200, 1500-1800	1520-1800
11855 *	H	1600-1805	1600-1805
11885	H	0000-1805	0200-1805
15115	C	0215-1445	0200-1505
15145	P	0453-0910, 0953-1610	0200-1600
15185	H	0300-1545	0200-1545

* These freq's. are used on the foll. daily sked: Hungarian- 1805-1835, Polish- 1835-1905, Czech- 1905-2005.

** The foll. symbols are used to designate the lang. employed: C-Czech/Slovak, P-Polish, G-Bulgarian, R-Rumanian, Albanian.

** B/C periods marked "G" are sked as follows: Bulgarian 1100-1145, 1315-1415, 1545-1645;; Rumanian-1145-1245, 1545-1545, 1645-1745;; Albanian-1245-1315, 1415-1445, 1745-1800. ALL TIME IS E.S.T.

LUXEMBOURG: Bellington, NY. reports good signal from the new 50 kw of Radio Luxembourg on 6.090 arnd. 1800. R. & TV News gives this sked: 0600-0800 on 15.350 and 1300-1900 on 6.090 kcs., All in French.

USA: McChard AFB, Wash. hrd working aircraft on 4.725. WOLMC.
 ***: Carswell AFB & Magill AFB on 6.738 relaying pr. crit. info. (No times given, Ed.) WOLMC.

LATE FLASHES FROM R. & TV NEWS tax to Ken R. Boord (Editor's note: Mrs. Boord has recently returned home from the hospital, we all wish her a speedy recovery)

TRIESTE: The Forces B/Cing Service is hrd in Eastern USA from arnd 1400 to 1600, closes with "God Save The Queen" opening scheduled 1100.

BOLIVIA: Up 50, LaPaz currently lists its channel as 9.444.

CAPE VERDE ISLANDS: GR4AA, Praia, was noted closing 1700 recently at good level on 7.295A.

EGYPT: Cairo's new 11.965 channel opens 1000 and runs to AFTER 1800 in Arabic. The 11.815 runs to 1700 daily, has English news 1330.

THAILAND: (SIAM): Overseas sources say that Bangkok has been heard with its overseas session 0500-0630A over the NEW 50 kw. transmitter as HSK9 should have English news 0515. It reported also on 6.001 new channel.

GERMANY: The "Voice of Germany" session from Cologne (via NWDR facilities) to No. America daily 2030-2330 is now relayed over 5.98 and 11.705 instead of 7.29 and 6.27.

ISRAEL: The new 50 kw. xatr should be on the air soon.

PITCAIRN ISLAND: A NEW radio station is to begin operations from this island shortly. Call will be ZBP and will use English with 500 watts power. No further details.

OCTOBER
 RADIO LONG-DISTANCE PROPAGATION PREDICTIONS
 BY

Walt Mulvey, 15 Valley Pl. No., No. 10, Ct.

These predictions are centered on New York City, and all times are GMT. They are based on a CW power of 10 watts, or one power of 500 Watts, and antenna gain of 3 db, and will give, on normal days, a roadability of 90%.

	15 Meters	20 Meters	40 Meters
Germany	1600 (0-1)	1100-2100 (3-4)	2100-0400 (3-4) 0400-1100 (1-2)
Eritrea	1400-1600 (1-2)	1700 (0-1)	2200-0500 (2-3)
S. Africa	1200-1600 (1-2) 1600-2100 (3-4)	1900-2200 (3-4)	2300-0400 (1-2)
B. Congo	1200-2100 (3-4)	1000 (0-1) 1800-2200 (3-4)	2200-0700 (3-4)
Argentina	1200-2200 (4-5)	1200 (1-2) 2000-2300 (4-5)	2200-1100 (4-5)
Tahiti	1600-2400 (2-3)	2200-0100 (1-2) 1530 (0-1)	0200-1400 (2-3)
Fiji Is.	1800-2400 (2-3)	1400 (0-1) 0130 (0-1)	0630-1000 (1-2) 1300-1400 (1-2)
Hawaii	1700-2300 (2-3)	1500-1630 (1-2) 1630-2000 (0-1) 2000-0100 (2-3)	0200-0800 (2-3) ##### 1400 (0-1)
New Zealand	1800-2400 (2-3)	0130 (0-1)	0600-1100 (3-4)
Papua	2000-2200 (0-1)	1400-1600 (0-1)	0630-1000 (1-2) 1330 (0-1)

Notice to the Hams of the club:

The present operating freq's of W3NIT

3601.25 kcs	3670.00	7000.00
3609.00	3726.00	7025.00
3621.00	3729.00	7050.00
3657.00	3733.00	

I would appreciate if other members of the club would send in the the freq's that they work, so that we can get started on the club net..

I have a HQ-129X revr and a Tr 75 xmtr.. about 55 watts input I would like to try a few tests for the Comm angle and see if this net can't be started.... My C.W. speed is 25 w.p.m. and use a bug at times..

SHORT WAVE LISTENING

By Ben Adams



I just received a very nice letter from Ben Adams and he gave me the information on what he is using, and what he heard..

He is using a S-72 rcvr and has quite a array of ant's up..

He has three ant's up- one is 79' long running NW-SE and the other two are short ones both running NE-SW.. Here is a list of some of the stations that he has worked or I should of said heard...

He claims that he heard these all on Fone btwn', 0100 to 1300 & 14 to 2400...

15 mtrs	20 mtrs	20 mtrs	20 mtrs
VE1CR	CE2CC	KA2JF	VK2PR
HP3FL	CN8FW	KA4LZ	VQ4AC
W6MMB	CT1CZ	LULOK	KW6BB
KG4AU	CX5AF	LU6E3	KR6AK
-----	DL4FZ	OE13BR	ZB1BL
20 mtrs	EALDT	OX3GG	TA2EFA
E1JT	GM2ACQ	OZ9GC	SV0WP
F7SHP	GW3EXZ	ON4US	KH6BX
F9RM	HH2PB	OA3BC	ZS1ZH
G2AFQ	HB9MX	PA0VB	CT1GJ
GC2ASO	ILABZ	PY1NAX	3A2AH
GD6UB	KZ5BD	SM7BYB	9S4AD
GI3CWY	KP4UK	TI4JG	5A2TZ
G18LP			

This is not the complete list that Ben sent me for I know with this small list your eyes are now turning green with envy..hi.

Tnx Ben::

Helpful kinks



LIMITING drill travel, brill a hole in a block of wood so that about 1/8th of the drill point shows through, this will not ruin the under chassis parts when the bit comes through.

DRILLING glass, use a worn out drill bit in a high speed drill, when the bit becomes hot it will help to melt the glass, and with the weight of the drill alone the pane should stay intact..The drill will become WHITE hot before going through... (Be careful) Ed..

GLYPTAL SOLVENTS:

The XYL's nail polish remover will loosen up those painted parts on the Surplus radio gear-- Heat will also do the job, but it will become hard again soon....

PROPAGATION (cont.)

	15 Motors	20 Motors	40 Motors
Sumatra	NIL	1300-1500 (0-1) 1800-2030 (0-1)	1100-1300 (0-1)
Philippines	NIL	2130-2330 (0-1)	NIL
Marshall Is.	1900-2230(1-2)	0000-0130 (0-1)	0600-1000 (1-2)
Israel	1600(0-1)	1100-1900 (0-1)	2200-0600 (2-3)

As I have said, these predictions are for a CW output of 10 watts. A station with higher power, will often be heard when I have listed no normal opening. This is because the absorption is high enough to prevent hearing the weaker station. There will be some 10 meter openings to S. Africa, S. America, and Tahiti from NYC, on quiet days, and a number of 10 meter openings from the southern U.S. on a good number of days. The number following the time is the percentage of days the band should open at that time; 1= 20%, 2= 40%, 3= 60%, 4= 80%, and 5= 100%. 15 meters will be a very good band to listen on, but the lack of activity will make many openings useless.

73 and Good DX,

Walt.

WAET, WITSZ

MOTHER'S
LITTLE
Helper



3WIT

PROVINCATION (cont.)

40 Motors
1100-1300 (0-1)

30 Motors
1800-2000 (0-1)
1800-2000 (0-1)

18 Motors
MIL

30 Motors

MIL

1100-1300 (0-1)

MIL

30 Motors

March 1st 1900-2250 (1-2) 0000-1000



To all the members, I want to make an apology
in my defence, I want to make an apology
with what material I could find around, none of
the Asst. editors contributed anything towards
the making up of the bulletin. And being that it
was the very first one I thought that most of the
members would understand.

You must understand if the members don't tell
me what they want and don't write those letters,
I'm sure I don't know what to put in the bulletin.
REMEMBER- this is your bulletin, and what you
want is what the bulletin shall have in it....

Editor**

Please don't forget the DEAD LINE the 28th
of every month, nothing will be printed if it
comes in later...

Do it to-day the day before tomorrow....

United Motors Radio Society
413 Pershing Ave.
Collingdale, Penna.,



Name Donald Jensen
Address 1722 Ridge Dr
City & State Racine Wis.

Handwritten notes:
PA.
1722 Ridge Dr
Racine Wis.



Return Postage Guaranteed:

This may be opened for Postal Inspection